

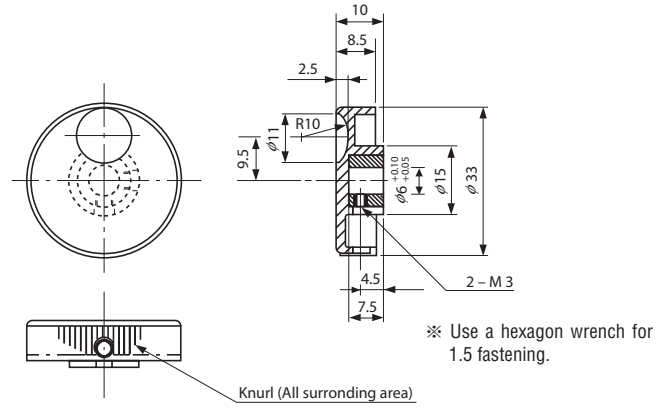
REC/RES OPTICAL ENCODERS

● KNOB FOR SETTING ENCODERS

The knobs are sold separately as an optional item.

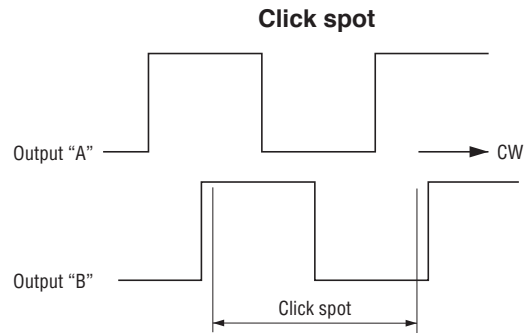
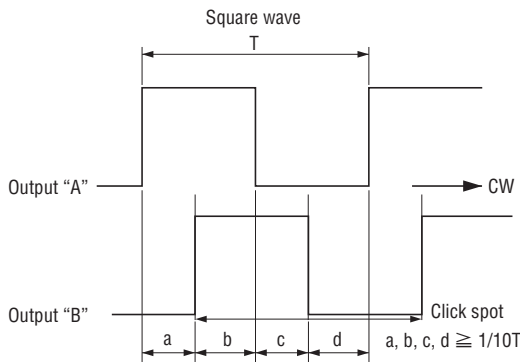


Unless otherwise specified, tolerance: ± 0.4 (Unit: mm)

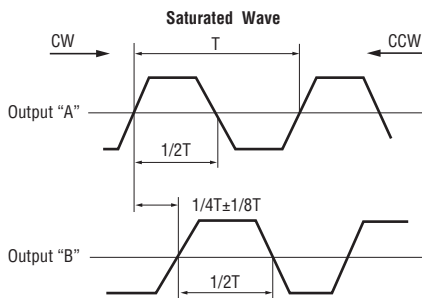


■ OUTPUT

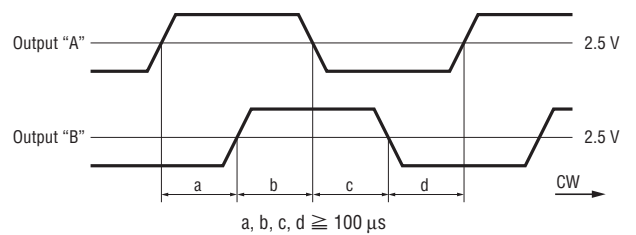
● RES20D/REC20D/RESW20D/RECW20D



● RES20



● RES20 *** Z



● REC20/RES20B/REC20C

